

# A Tradition Of Reliability And Innovation

*Mobile Power When and Where You Need It*



## Mobile Flip-Hood Generators

Model MMG 45 (shown) (Pages 4–7)

### Advanced Features

- Patented Flip-Hood/Flip-Tongue Design
- Steel Skid Frame and Trailer
- Models with Full Load Run Times Up to 40 Hours
- Durable Industrial Powder Coat Finish

## Mobile Generators

Model MMG 100 (shown) (Pages 4–7)

### Advanced Features

- Steel Skid Frame and Trailer
- Durable Industrial Powder Coat Finish
- Models with Full Load Run Times in Excess of 24 Hours
- Detachable Generator-Set and Trailer



## Mobile Lite Generators

Model MLG 25 (shown) (Pages 2–3)

### Advanced Features

- Full Tubular Steel Frame
- Durable Powder Coat Finish
- Up to 48 Hours Full Load Run Time
- External Convenience Outlets with MLG 15, MLG 20, MLG 25

For more information:

Call: 1-800-926-9768 Local: 920-361-4442 Fax: 920-361-2214 Visit: [www.generac.com](http://www.generac.com)

## Cost Effective Solution for Mobile Power

**GENERAC**<sup>®</sup>

MOBILE POWER



MLG 8



MLG 20 (shown)  
Also Available: MLG 15, MLG 25

### Mobile Lite Generators

#### Tough

- Steel, lockable enclosure
- Full tubular steel frame
- Durable powder coat finish
- Stainless steel exterior hardware

#### Reliable

- Key switch on single phase models
- Microprocessor on three phase model
- Low oil/high temp shutdowns
- Start limit main breaker (single phase only)
- Up to 48 hours full load run time
- 2 year 2,000 hour warranty
- Voltage regulation within +/- 1%

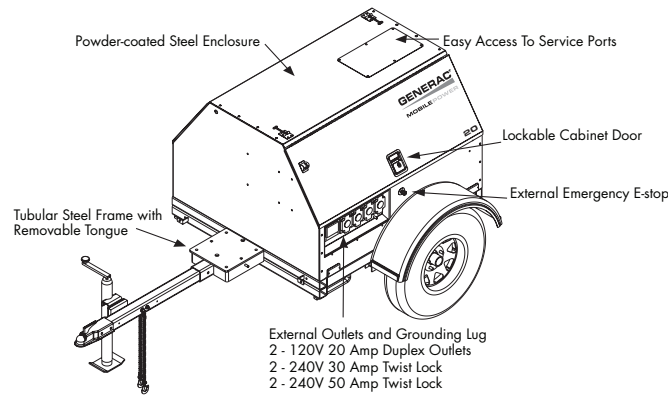
#### Easy to Use

- Self-priming engines
- External convenience outlets with MLG 15, MLG 20, MLG 25
- Individual breakers
- External emergency stop switch
- Three phase models also have voltage selector switch, lugs and lug box safety switch, and automatic remote start

#### Options

- Engine heater
- Battery disconnect
- Battery charger
- Central lift point
- Configured outlet panel
- Outrigger Package
- Skid-Mounted
- Heated Fuel Filter
- Combo hitch – 2.5" ring/ 2" ball
- Pintle ring hitch 2.5" or 3" ring

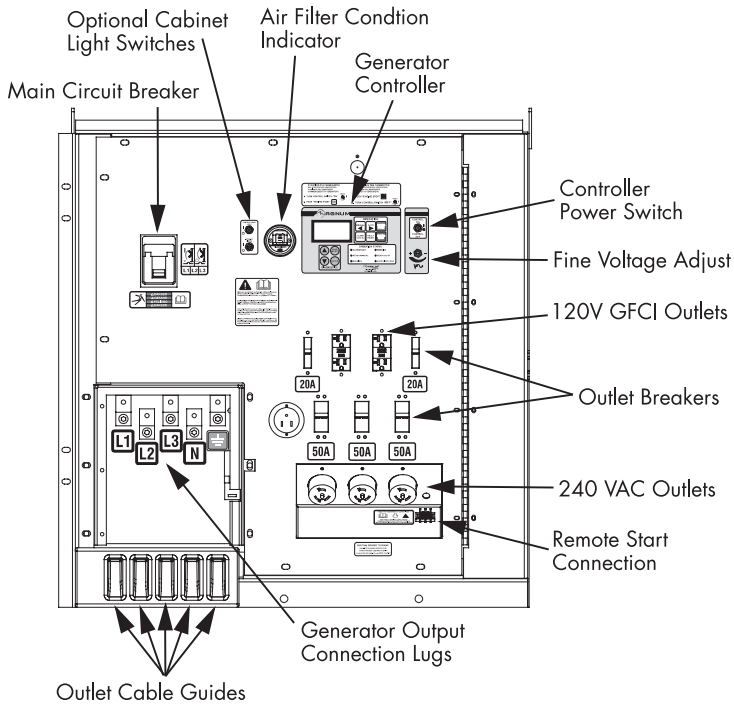
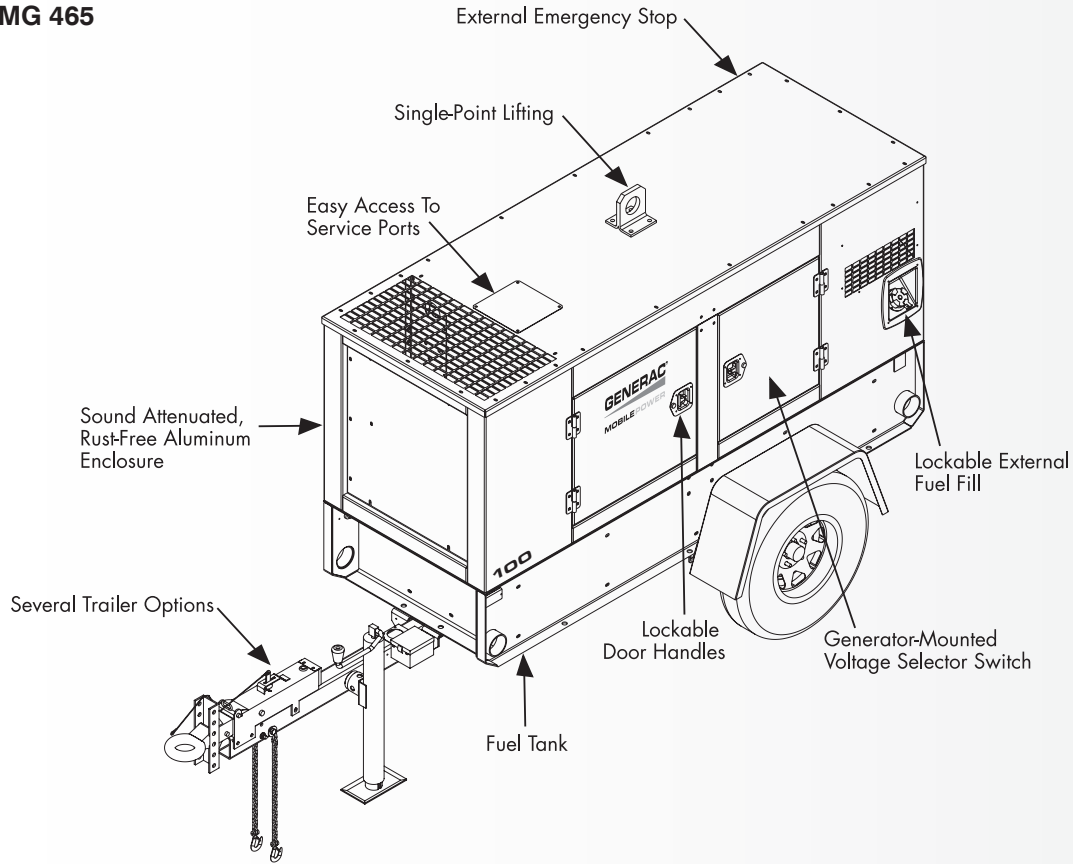
Mobile lite generators are reliable and easy to use. Undeniably tough with rugged, powder coated tubular steel frames, automatic safety shutdowns, large fuel tanks, multiple convenience outlets and user friendly controls, the MLG line of generators offers an economical power investment.



## Lite Generator Specifications

Model	MLG 8	MLG 15	MLG 20	MLG 25
<b>Output</b>				
3 Phase - Standby (kW/kVA)	NA	NA	NA	20/25
Amps (480/208 V)	NA	NA	NA	30/69
3 Phase - Prime (kW/kVA)	NA	NA	NA	18/23
Amps (480/208 V)	NA	NA	NA	28/64
1 Phase - Standby (kW/kVA)	7.3/7.3	14/14	20/20	16/16
Amps (240V)	30	58	83	67
1 Phase - Prime (kW/kVA)	6.0/6.0	13/13	19/19	15/15
Amps	25	54	79	63
AC Voltage 1-phase	120, 240	120, 240	120, 240	120, 139, 208, 220, 240, 277
AC Voltage 3-phase	NA	NA	NA	208, 220, 440, 480
Frequency Hz	60	60	60	60
Power Factor	1.0 (1 Phase)	1.0 (1 Phase)	1.0 (1 Phase)	1.0 (1 Phase) / .8 (3 Phase)
Generator (Brand/Type/Insulation)	Marathon/ Brushless/ F	Marathon/ Brushless/ F	Marathon/ Brushless/ F	Marathon/ Brushless/ H
Sound (dB(A) 23 Feet @ prime)	70	68	68	68
<b>Size and Weight</b>				
Skid Mounted ( l x w x h ) in	NA	NA	NA	NA
Dry Weight lb (kg)	NA	NA	NA	NA
Operating Weight lb (kg)	NA	NA	NA	NA
Trailer Mounted ( l x w x h ) (in)	105 x 68 x 56	105 x 68 x 56	105 x 68 x 56	105 x 68 x 56
Dry Weight lb (kg)	1030 (467)	1425 (646)	1455 (660)	1640 (744)
Operating Weight lb (kg)	1250 (567)	1823 (827)	1853 (841)	2038 (924)
<b>Engine</b>				
Brand	Tier IV	Tier IV	Interim Tier IV	Interim Tier IV
Aspiration	Mitsubishi	Mitsubishi	Isuzu	Isuzu
HP (prime @ 1800rpm) (kW)	Natural	Natural	Natural	Natural
Displacement in <sup>3</sup> (L)	10.5 (7.8)	22.3 (16.6)	32.1 (23.9)	32.1 (23.9)
Cylinders	58.0 (1.0)	107 (1.8)	134 (2.2)	134 (2.2)
Speed (rpm)	3	4	4	4
Fuel Consumed prime gph (Lph)	1800	1800	1800	1800
Battery (12 volt)	0.63 (2.38)	1.3 (4.92)	1.8 (6.81)	1.8 (6.81)
<b>Capacities</b>				
Fuel Tank gal (L)	1 - 12V/440 CCA	1 - 12V/440 CCA	1 - 12V/720 CCA	1 - 12V/720 CCA
Approximate Run Time hrs	30 (114)	56 (212)	56 (212)	56 (212)
<b>AC Distribution</b>				
Main Breaker	48	43	31	31
Voltage Selection	40	70	100	90
Voltage Regulation	N/A	N/A	N/A	3 Position Switch (lockable)
120V - 20 amp GFCI Duplex	+/-1%	+/-1%	+/-1%	+/-1%
240V - 30 amp Twist Lock	2	2	2	2
240V - 50 amp Twist Lock	1	2	2	2
<b>Trailer</b>				
Number of Axles & Capacity lbs (kg)	NA	2	2	2
Tire Size (in)	1 - 2200 (998)	1 - 2200 (998)	1 - 2200 (998)	1 - 2200 (998)
Brakes	13	15	15	15
Hitch – Standard	N/A	N/A	N/A	N/A
	2" Ball	2" Ball	2" Ball	2" Ball

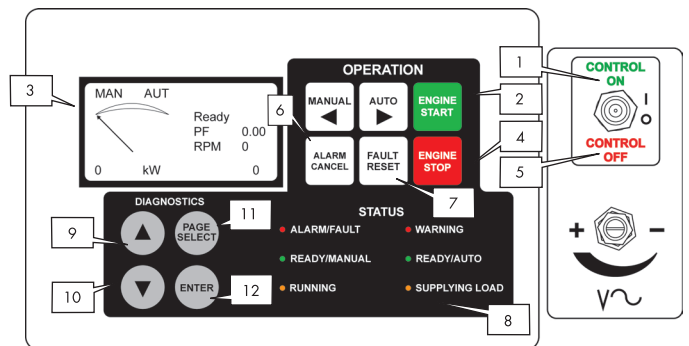
## MMG 25 – MMG 465



### Control Panel Features

## Digital Controller Enhanced Operation and Diagnostic Display

### Generator Controller



- |                             |                 |
|-----------------------------|-----------------|
| 1. Control Power Switch/ON  | 2. Engine Start |
| 3. LCD Display              | 4. Engine Stop  |
| 5. Control Power Switch/OFF | 6. Alarm Cancel |
| 7. Fault Reset              | 8. LED's        |
| 9. UP                       | 10. DOWN        |
| 11. Page Select             | 12. Enter       |

# Mobile Power When and Where You Need It

**GENERAC**  
MOBILE POWER



**MMG 35** (shown)  
Also Available: MMG 25,  
MMG 45, MMG 55



**MMG 100** (shown)  
Also Available: MMG 120, MMG 150, MMG 175,  
MMG 185, MMG 235, MMG 320, MMG 405,  
MMG 465

## Flip-hood/flip-tongue Mobile Generators

Standard flip-hood design provides easy open access flip-hoods for routine maintenance and full service, and a large control panel access with centralized location of all electrical connections and wiring. The flip-tongue design permits cross trailer loading for truckload savings as well as added theft prevention on site.

(Four door enclosure is available, call factory for details)

## Mobile Generators

### Tough

- Aluminum, lockable enclosure
- Steel skid frame and trailer
- Durable industrial powder coat finish
- Stainless steel exterior hardware

### Reliable

- Advanced microprocessor
- Voltage regulation within +/- 1%
- Models with full load run times in excess of 24 hours
- Air filter condition indicator
- Low coolant shutdown
- 2 year 2,000 hour warranty

### Easy to Use

- Voltage selector switch
- Lugs and lug box safety switch
- Multiple convenience outlets
- External emergency stop switch
- External, lockable fuel cap
- Automatic remote start
- Detachable generator-set and trailer
- Fuel tank integrated into generator-set

### Options

- Superstart
- Engine heater
- Battery disconnect
- Tandem axle trailers
- Dedicated voltage configurations
- Battery charger
- Buck transformer (automatic)
- 36 hour full-load fuel tank
- Liquid containment
- Double wall tank
- Interior light
- Control panel light
- Analog gauge control panel
- 4 Position phase switch with Delta
- Cam Locks
- 3" Pintle ring
- Brakes Surge or Electric

Mobile generator sets offer a wide range of power output choices from single phase 16kW – to three phase 408kW. The advanced digital controller of the genset provides simple push-button operation and easy-read system information enhancing diagnostic capabilities. The integrated large capacity fuel tanks are essential on remote site locations for reliable performance around the clock.

## Flip-hood Design Standard

Model MMG 35 (shown)

Also Available: MMG 25, MMG 45, MMG 55



Model MMG 120



## Mobile Generator Specifications

Model	MMG 25	MMG 35	MMG 45	MMG 55	MMG 100	MMG 120
<b>Output</b>						
3 Phase - Standby (kW/kVA)	20/25	29/36	35/44	50/63	86/107	102/127
Amps (480/208 V)	30/69	43/100	53/122	78/180	129/297	153/353
3 Phase - Prime (kW/kVA)	18/23	26/33	33/41	47/59	78/98	93/116
Amps (480/208 V)	28/64	40/92	49/114	71/164	118/272	140/322
1 Phase - Standby (kW/kVA)	16/16	26/26	33/33	49/49	75/75	91/91
Amps (240V)	67	108	138	204	313	379
1 Phase - Prime (kW/kVA)	15/15	25/25	30/30	46/46	71/71	85/85
Amps	63	104	125	188	296	354
AC Voltage 1-phase	120, 139, 208, 220, 240, 277					
AC Voltage 3-phase	208, 220, 440, 480					
Frequency Hz	60	60	60	60	60	60
Power Factor	1 (1Ø), 0.8 (3Ø)	1 (1Ø), 0.8 (3Ø)	1 (1Ø), 0.8 (3Ø)	1 (1Ø), 0.8 (3Ø)	1 (1Ø), 0.8 (3Ø)	1 (1Ø), 0.8 (3Ø)
Generator (Brand/Type/Insulation)	Marathon / Brushless / H					
Sound (dB(A) 23 Feet @ prime)	66	68	68	68	68	68
<b>Size and Weight</b>						
Skid Mounted ( l x w x h ) in	95 x 35 x 52	95 x 35 x 52	95 x 35 x 52	95 x 35 x 52	96 x 38 x 62	132 x 50 x 77
Dry Weight lb (kg)	1738 (788)	2020 (916)	2329 (1056)	2570 (1170)	3402 (1543)	5429 (2463)
Operating Weight lb (kg)	2206 (1001)	2475 (1123)	3082 (1398)	3255 (1480)	4361 (1978)	7914 (3590)
Trailer Mounted ( l x w x h ) (in)	150 x 57 x 67	150 x 57 x 67	150 x 57 x 67	150 x 57 x 67	158 x 60 x 84	210 x 86 x 93
Dry Weight lb (kg)	2258 (1024)	2540 (1152)	2853 (1294)	3050 (1384)	4104 (1860)	6825 (3096)
Operating Weight lb (kg)	2721 (1234)	2990 (1356)	3606 (1636)	3770 (1710)	5062 (2296)	9310 (4223)
<b>Engine</b>	Interim Tier IV	Interim Tier IV	Interim Tier IV	Tier III	Tier III	Tier III
Brand	Isuzu	John Deere	Kubota	John Deere	John Deere	John Deere
Model #	4LE1NYGV	PE4024TF281	V3600-T-E3BG	PE4024HF285	PE4045HF285	PE4045HF285
Aspiration	Natural	Turbo	Turbo	Turbo	Turbo	Turbo
HP (prime @ 1800rpm) (kW)	32 (24)	43 (32)	53 (39)	74 (55)	122 (91)	144 (107)
Displacement in <sup>3</sup> (L)	134 (2.2)	149 (2.4)	221 (3.6)	149 (2.4)	274 (4.5)	275 (4.5)
Cylinders	4	4	4	4	4	4
Speed (rpm)	1800	1800	1800	1800	1800	1800
Fuel Consumed prime gph (Lph)	1.8 (6.8)	2.6 (9.8)	3.0 (11.4)	3.6 (13.6)	6.2 (23.5)	7.4 (28)
Battery (12 volt)	1 - 12V/720 CCA					1 - 12V/1000 CCA
<b>Capacities</b>						
Fuel Tank gal (L)	106 (401)	106 (401)	106 (401)	106 (401)	147 (556)	342 (1295)
Approximate Run Time hrs	45.4	36.9	31	28.5	22	44
<b>AC Distribution</b>						
Main Breaker	90	125	200	225	400	450
Voltage Selection	3 Position Switch (Lockable)					
Voltage Regulation	+/- 1%	+/-1%	+/- 1%	+/-1%	+/-1%	+/-1%
120V - 20 amp GFCI Duplex	2	2	2	2	2	2
240V - 30 amp Twist Lock	NA	NA	NA	NA	NA	NA
240V - 50 amp Twist Lock	2	2	2	2	3	3
<b>Trailer</b>						
Number of Axles & Capacity lbs (kg)	1 - 3500 (1588)	1 - 3500 (1588)	1 - 5000 (2268)	1 - 5000 (2268)	1 - 6000 (2722)	2 - 6000 (2722)
Tire Size (in)	15	15	15	15	15	16
Brakes	N/A	Surge	Surge	Surge	Surge	Surge
Hitch – Standard	2" Ball	2" Ball	2" Ball	2" Ball	3" Ring	3" Ring

**6** Specifications are subject to change without notice.

Specifications for the four door enclosure design may vary from those listed above. Call factory for details

**Model MMG 175  
Interim Tier IV**



**Model MMG 320**



## Mobile Generator Specifications

Model	MMG 150	MMG 175	MMG 185	MMG 235	MMG 320	MMG 405	MMG 465
<b>Output</b>							
3 Phase - Standby (kW/kVA)	127/159	153/191	177/221	204/255	278/348	358/447	408/510
Amps (480/208 V)	191/441	230/530	266/613	307/708	419/966	538/1241	613/1416
3 Phase - Prime (kW/kVA)	116/145	138/172	162/202	186/233	256/320	326/408	373/466
Amps (480/208 V)	174/402	207/477	243/561	280/647	385/888	491/1132	561/1293
1 Phase - Standby (kW/kVA)	114/114	125/125	151/151	NA	NA	NA	NA
Amps (240V)	475	521	629	NA	NA	NA	NA
1 Phase - Prime (kW/kVA)	106/106	120/120	137/137	NA	NA	NA	NA
Amps	442	500	571	NA	NA	NA	NA
AC Voltage 1-phase	120, 139, 208, 220, 240, 277			NA	NA	NA	NA
AC Voltage 3-phase	208, 220, 440,480			208, 480	208, 480	208, 480	208, 480
Frequency Hz	60	60	60	60	60	60	60
Power Factor	1 (1Ø), 0.8 (3Ø)	1.0 (1Ø), 0.8 (3Ø)	1 (1Ø), 0.8 (3Ø)	0.8 (3Ø)	0.8 (3Ø)	0.8 (3Ø)	0.8 (3Ø)
Generator (Brand/Type/Insulation)	Marathon Electric / Brushless / H		Marathon Electric / Brushless / H		Marathon Electric / Brushless / H		
Sound (dB(A) 23 Feet @ prime)	68	68	68	68	68	68	68
<b>Size and Weight</b>							
Skid Mounted ( L x w x h ) in	132 x 50 x 77	144 x 50 x 77	132 x 50 x 77	132 x 50 x 77	156 x 60 x 90	175 x 60 x 96	175 x 60 x 96
Dry Weight lb (kg)	5944 (2696)	6604 (2996)	6510 (2953)	6510 (2953)	8039 (3646)	12740 (5779)	12690 (5756)
Operating Weight lb (kg)	8500 (3856)	9032 (4097)	9100 (4128)	9100 (4128)	11499 (5215)	17114 (7763)	17125 (7768)
Trailer Mounted ( L x w x h ) (in)	210 x 86 x 93	210 x 86 x 93	210 x 86 x 93	210 x 86 x 93	230 x 102 x 110	250 x 102 x 116	250 x 102 x 116
Dry Weight lb (kg)	7340 (3329)	8000 (3629)	8450 (3833)	8450 (3833)	10912 (4949)	15990 (7253)	15940 (7230)
Operating Weight lb (kg)	9896 (4489)	10428 (4730)	11040 (5008)	11040 (5008)	14372 (6519)	20364 (9237)	20375 (9241)
<b>Engine</b>	Tier III	Interim Tier IV	Tier III	Tier III	Tier III	Tier III	Tier III
Brand	John Deere	John Deere	John Deere	John Deere	John Deere	John Deere	John Deere
Model #	PE4045HF285	PE6068HFG94	PE6068HF485	PE6068HF485	RG6090HF485	RG6135HF485	RG6135HF485
Aspiration	Turbo	Turbo	Turbo	Turbo	Turbo	Turbo	Turbo
HP (prime @ 1800rpm) (kW)	179 (134)	217 (162)	258 (193)	286 (213)	384 (287)	489 (365)	561 (419)
Displacement in <sup>3</sup> (L)	275 (4.5)	415 (6.8)	415 (6.8)	415 (6.8)	548 (9.0)	824 (13.5)	824 (13.5)
Cylinders	4	6	6	6	6	6	6
Speed (rpm)	1800	1800	1800	1800	1800	1800	1800
Fuel Consumed prime gph (Lph)	8.5 (32.3)	10.9 (41.3)	12.3 (46.6)	15.2 (57.5)	17.9 (67.8)	21.1 (79.9)	26.3 (99.6)
Battery (12 volt)	1 - 12V/1000 CCA		1 - 12V/1000 CCA		2 - 12V/1000 CCA	24V (2 - 12V)/1000 CCA	
<b>Capacities</b>							
Fuel Tank gal (L)	342 (1295)	342 (1295)	342 (1295)	342 (1295)	459 (1738)	616 (2332)	616 (2332)
Approximate Run Time hrs	36	29	25	21	24	29	29
<b>AC Distribution</b>							
Main Breaker	600	700	700	800	1200	1600	1600
Voltage Selection	3 Position Switch (lockable)			Link/Reconnect Board		Link/Reconnect Board	
Voltage Regulation	+/-1%	+/-1%	+/-1%	+/-1%	+/-1%	+/-1%	+/-1%
120V - 20 amp GFCI Duplex	2	2	2	2	2	2	2
240V - 30 amp Twist Lock	NA	NA	NA	NA	NA	NA	NA
240V - 50 amp Twist Lock	3	3	3	3	3	3	3
<b>Trailer</b>							
# of Axles & Capacity lbs (kg)	2 - 6000 (2722)	2 - 6000 (2722)	2 - 7000 (3175)	2 - 7000 (3175)	2 - 8000 (3629)	3 - 8000 (3629)	3 - 8000 (3629)
Tire Size (in)	16	16	16	16	17.5	17.5	17.5
Brakes	Surge	Surge	Surge	Surge	Electric	Electric	Electric
Hitch - Standard	3" Ring	3" Ring	3" Ring	3" Ring	3" Ring	3" Ring	3" Ring

Specifications are subject to change without notice.

## A Tradition of Reliability and Innovation

For over 50 years Generac Power Systems has set the standards as a leader in the power generation industry for innovative design and premium manufacturing. Developing products that are both reliable and durable has been and continues to be a main focus for our product design.

The Generac Mobile Power line of generators exemplifies our ongoing commitment to reliability and innovation. The new diesel-powered mobile generators provide power for remote site locations and critical auxiliary power with the strength of mobility.

Dependable power; when and where you need it.



MLG 25 (shown)

### Mobile Lite Generator Single phase 7.3 kW – 20kW MLG 8, MLG 15, MLG 20

### Single phase 15kW – Three phase 20kW MLG 25

Mobile lite generators provide cost effective solutions for mobile power; ideal for remote powering jobsite trailers, construction and industry sites, emergency back-up power for gas/fuel stations, office or retail facilities, and power outages due to weather storms.

### Mobile Generators MMG Power Output Range: Single phase 16kW – Three phase 408kW

Mobile generators provide onsite power for construction and industry, mining, gas and oil field operations, entertainment and sporting events, municipalities, back-up or auxiliary power for schools, businesses, laboratories, hospitals, care centers and utility power during peak power needs.



MMG 150 (shown)

For more information:

Call: 1-800-926-9768 Local: 920-361-4442 Fax: 920-361-2214

Visit: [www.generac.com](http://www.generac.com)

Generac Power Systems, Inc.  
S45 W29290 Hwy, 59  
Waukesha, WI 53189